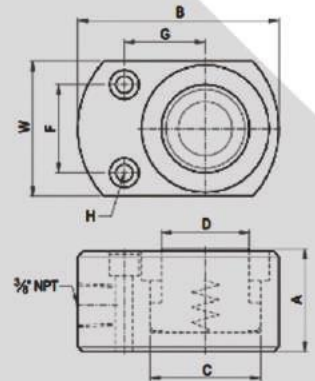


RCF SERIES ULTRA LOW HEIGHT FLAT JACK



FEATURES / APPLICATION

- Single Acting Spring Return Up to 200 Tons.
- Compact & flat design ideally best suited where clearance is minimum for using jack.
- Mounting holes for easy fixturing (Stacking plate to increase closed height is optional).
- Heavy equipment lifting, alignment & clamping.
- Ensure no gap between jack & load to be lifted, to utilize full stroke.
- Compatible with all reputed brands pumping units.
- Refer to anatomy for all VANKOS-HYD jacks.

CAPACITY 10 - 200 TONS L STROKE 8 - 16 MM L MAX WORKING PRESSURE 700 BAR

Rated Capacity (Ton)	Stroke (mm)	Model	Effective Area (cm ²)	Oil cap (cc)	A Closed Height (mm)	B Cylinder OD (mm)	C Bore Dia (mm)	D Ram Dia (mm)	W A/F (mm)	Wt (Approx.) (kg)
5	8	RCF-5/8	8.0	6	35	60	32	20	45	0.6
10	12	RCF-10/12	15.9	19	45	80	45	35	60	1.3
20	12	RCF-20/12	31.2	37	55	100	63	50	80	2.6
30	12	RCF-30/12	44.2	53	60	115	75	60	95	3.8
50	16	RCF-50/16	78.5	126	65	140	100	70	120	6.2
75	16	RCF-75/16	113.1	180	80	175	120	85	145	11.8
100	16	RCF-100/16	153.9	247	85	190	140	100	165	15.1
150	16	RCF-150/16	227.0	363	100	230	170	120	205	27
200	16	RCF-200/16	283.5	454	115	265	190	140	230	40.7

- Higher capacity and customized solutions on request.
- Specifications are subject to change due to continual improvement.
- Capacity and Stroke specified are maximum safe limits.
- Use at 80% of rating as safe practice.

SELECT SUITABLE PUMPING UNITS AND ACCESORIES



Vankos & Company (Hyderabad)

Plot No. 457 & 458, S.V.C.I.E, IDA, Phase-I, Jeedimetla, Hyderabad-500055

sales@vankoshyd.com | www.vankoshyd.com