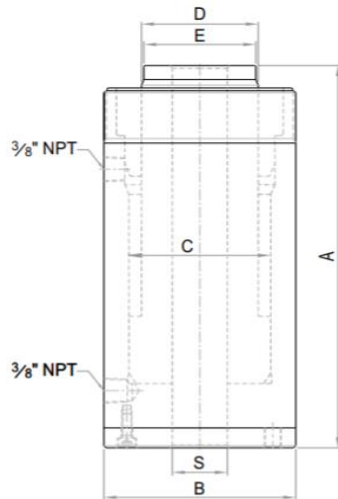




Vankos & Company (Hyderabad)

DOUBLE ACTING PLAIN RAM OIL RETURN HOLLOW RAM JACK



Rated capacity (ton)	Capacity @700 bar (kN)	Stroke (mm)	Model	Effective area (cm ²)	Oil cap. (cc)	A Closed height (mm)	B Cylinder OD(mm)	C Bore dia. (mm)	S C'hole dia. (mm)	D Ram dia. (mm)	E Saddle dia. (mm)	Wt (Approx.) (kg)
10	103	75	VHRDA-10/75	14.7	110	210	75	50	20	40	38	6
10	103	100	VHRDA-10/100	14.7	147	235	75	50	20	40	38	6.8
20	202	50	VHRDA-20/50	28.9	144	205	100	70	27	60	58	11.5
20	202	100	VHRDA-20/100	28.9	289	255	100	70	27	60	58	14
30	309	50	VHRDA-30/50	44.2	221	220	115	85	33	70	67	15.5

Reg Office & Works: Plot No - 457 & 458, SVCIE, IDA, Phase I, Jeedimetla, Hyderabad-500055.
Customer Care Number: +91 9490133585 , **Email:** sales@vankoshyd.com **Web:** www.vankoshyd.com



Vankos & Company (Hyderabad)

Rated capacity (ton)	Capacity @700 bar (kN)	Stroke (mm)	Model	Effective area (cm ²)	Oil cap. (cc)	A Closed height (mm)	B Cylinder OD(mm)	C Bore dia. (mm)	S C'hole dia. (mm)	D Ram dia. (mm)	E Saddle dia. (mm)	Wt (Approx.) (kg)
30	309	100	VHRDA-30/100	44.2	442	270	115	85	33	70	67	19
30	309	150	VHRDA-30/150	44.2	663	320	115	85	33	70	67	22
50	528	100	VHRDA-50/100	75.4	754	280	140	110	42	90	87	27
60	641	75	VHRDA-60/75	91.6	687	265	155	125	54	100	97	31
60	641	100	VHRDA-60/100	91.6	916	290	155	125	54	100	97	33.5
60	641	150	VHRDA-60/150	91.6	1373	340	155	125	54	100	97	38.5
100	1093	75	VHRDA-100/75	156.1	1171	295	210	170	77	130	125	60
100	1093	100	VHRDA-100/100	156.1	1561	320	210	170	77	130	125	64
150	1649	150	VHRDA-150/150	235.6	3534	375	245	200	80	150	147	104
200	2111	150	VHRDA-200/150	235.6	4524	400	290	220	80	160	157	164

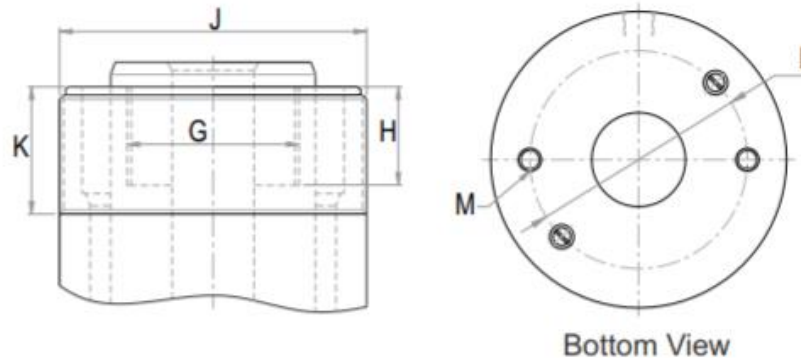
Reg Office & Works: Plot No - 457 & 458, SVCIE, IDA, Phase I, Jeedimetla, Hyderabad-500055.
Customer Care Number: +91 9490133585 , **Email:** sales@vankoshyd.com **Web:** www.vankoshyd.com



Vankos & Company (Hyderabad)

Mounting Details:

Model	Pull Rated Capacity (ton)	Pull Capacity @700 bar (kN)	Pull Effective Area (cm ²)	G Ram internal thread	H Thread depth (mm)	J Collar threads	K Length (mm)	L PCD × No. of taps	M Bottom thread size	Thread depth (mm)
VHRDA-10	5	49	7.1	M30×2P	30	M75×2P	30	60×2	M8	12
VHRDA-20	7	71	10.2	M42×2P	30	M100×3P	30	75×2	M10	17
VHRDA-30	13	128	18.3	M52×2P	35	M115×3P	40	90×2	M10	17
VHRDA-50	22	220	31.4	M68×2P	40	M140×3P	40	110×2	M12	20
VHRDA-60	31	309	44.2	M72×2P	40	M155×3P	40	125×2	M12	20
VHRDA-100	66	660	94.2	M95×2P	50	M210×3P	50	165×2	M16	24
VHRDA-150	96	962	137.4	M105×2P	50	M245×4P	50	200×2	M16	24
VHRDA-200	125	1253	179.1	M110×2P	60	M290×4P	50	220×2	M16	24



Reg Office & Works: Plot No - 457 & 458, SVCIE, IDA, Phase I, Jeedimetla, Hyderabad-500055.
Customer Care Number: +91 9490133585 , **Email:** sales@vankoshyd.com **Web:** www.vankoshyd.com